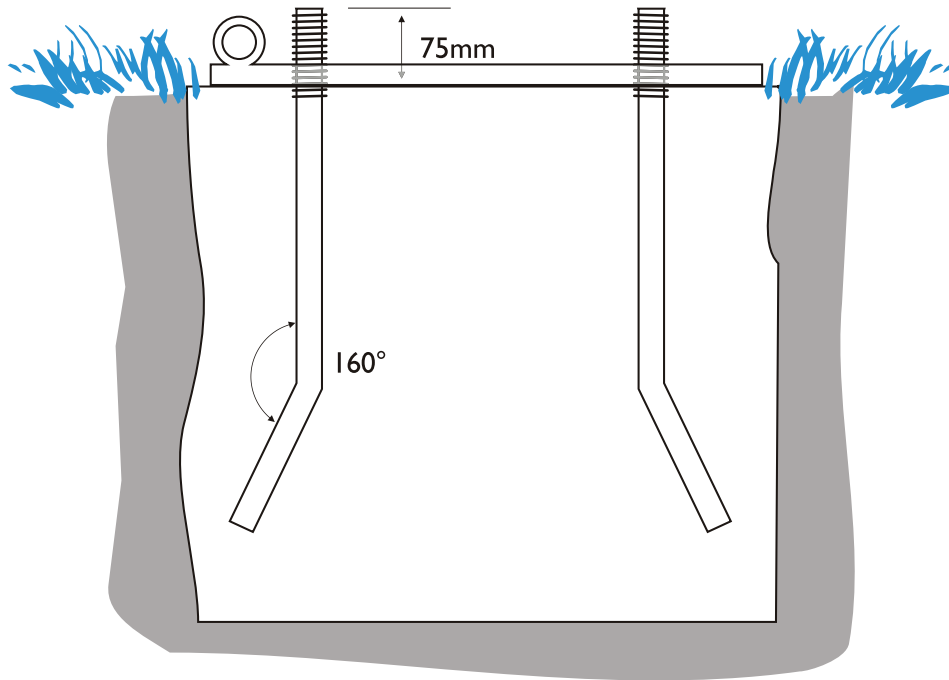


Architectural Flagpoles
Base Plate Foundations



Foundation Tables

HEIGHT (m)	FOUNDATION SIZE DEPTH/WIDTH (mm)	FOUNDATION STUD	LENGTH OF STUD (mm)	BASEPLATE CENTRES (mm)
5	800/600	M16	500	200 × 200
6	800/600	M16	500	200 × 200
7	1000/600	M16	500	200 × 200
8	1000/800	M16	500	200 × 200
10	1000/800	M20	1000	300 × 300
12	1500/1000	M20	1000	300 × 300
14	1500/1000	M24	1000	300 × 300
16	1500/1000	M24	1000	300 × 300

Note: Studding should be set 75mm proud of the foundation surface



Northern Flags Ltd, Unit 1 Matrix Court, Leeds LS11 5WB

Telephone: +44 (0) 113 205 5180 Fax: +44 (0) 113 205 5181

Email: info@northernflags.com Website: www.northernflags.com

Company Registration Number: 1969361