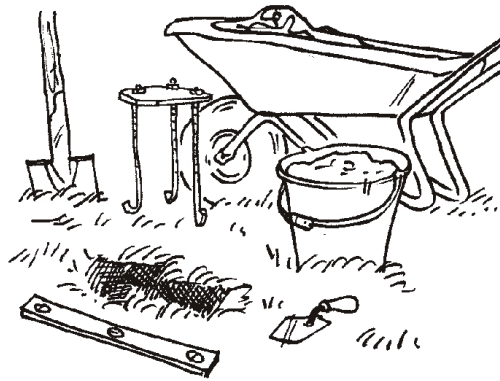


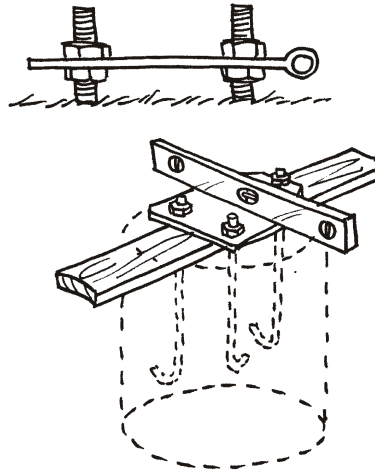
Glass Fibre Flagpoles Installation

1



For the foundation, dig a hole of suitable size and depth (see specifications). Fill the hole with a good lime cement (20MN/m)
1 cement : 2 sand : 3 pea gravel

2



Press the anchor bolts into the concrete. To facilitate later adjustments of the flagpole, there must be a gap of approx. 30 mm between the tilt plate and the concrete.

